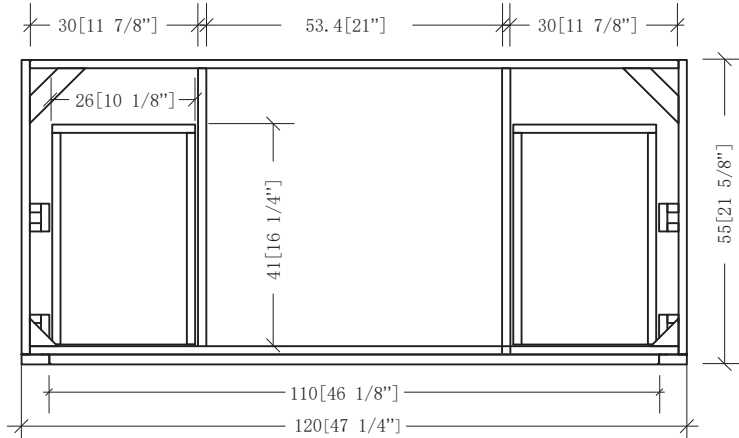


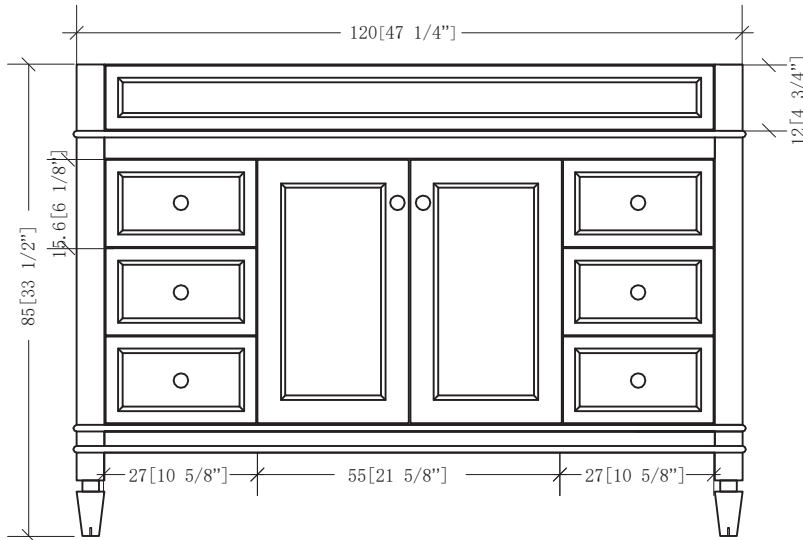
RIVERTON COLLECTION

48" VANITY

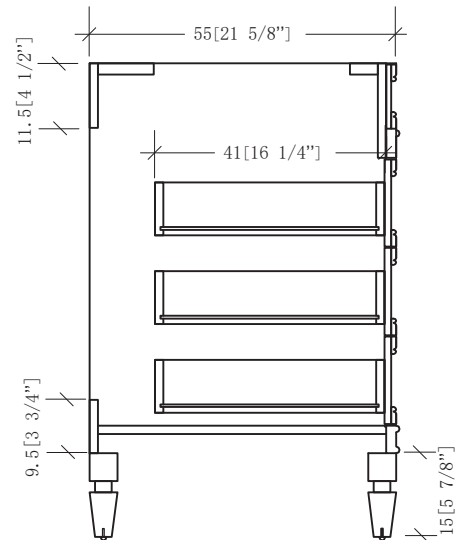
Top View



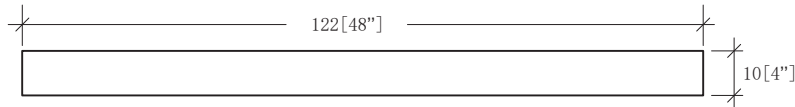
Front View



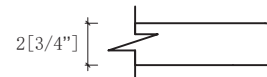
Side View



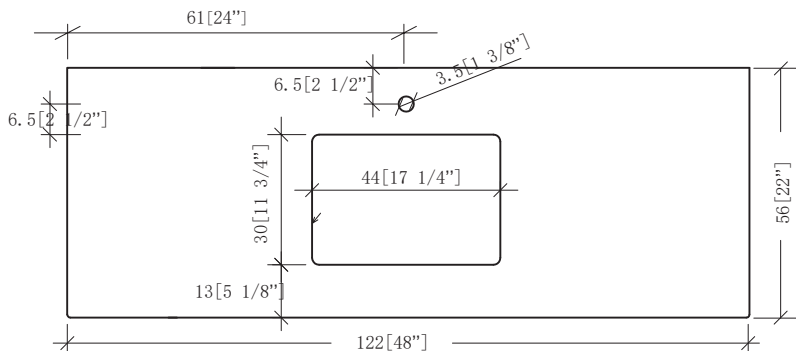
Backsplash



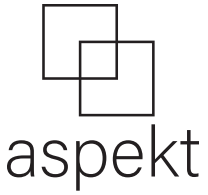
Edge Profile



Vanity Top



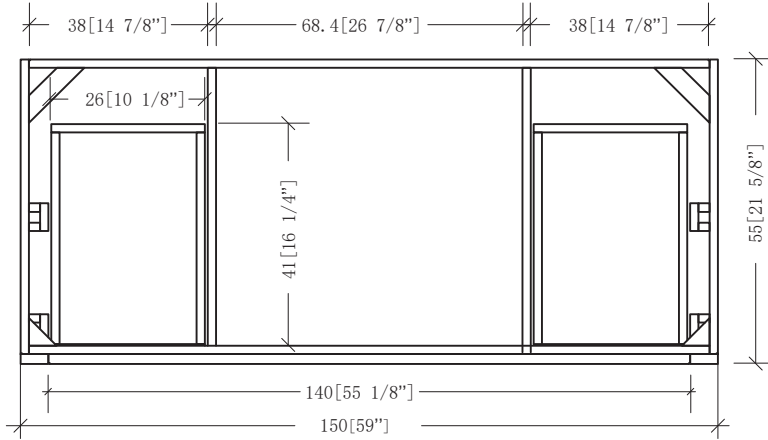
Dimensions may vary +/- 1/8"



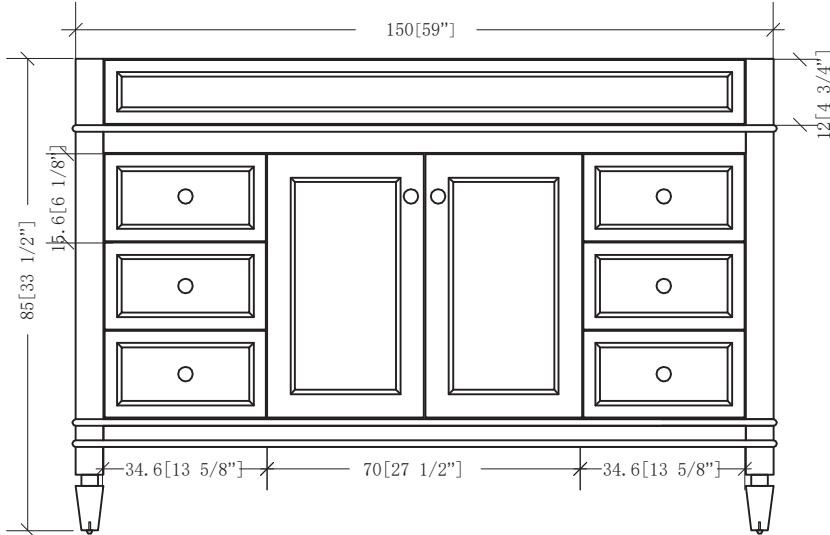
RIVERTON COLLECTION

60" VANITY

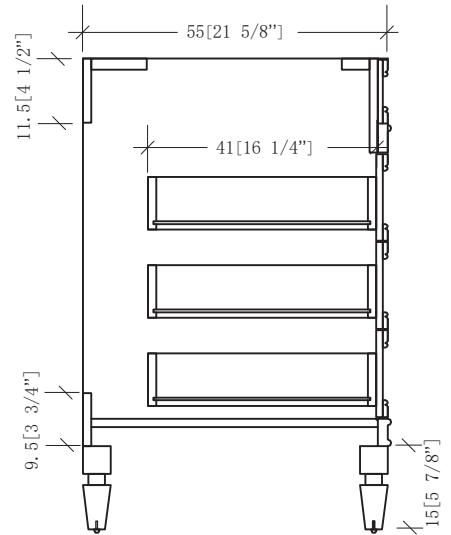
Top View



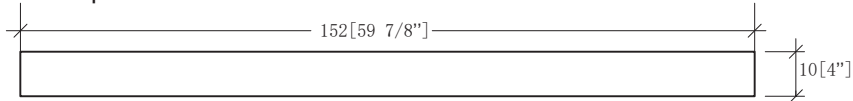
Front View



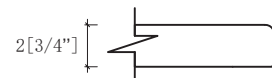
Side View



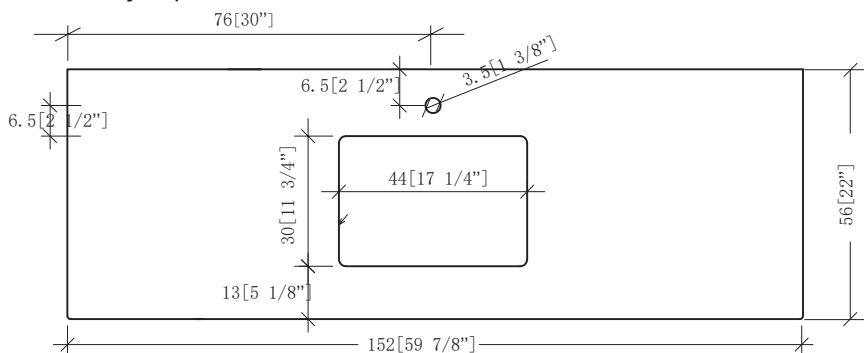
Backsplash



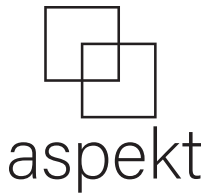
Edge Profile



Vanity Top



Dimensions may vary +/- 1/8"



CARE & MAINTENANCE

SOLID WOOD CABINETRY

About Wood and Moisture

Wood has an affinity for moisture. Water moves up the trunks of trees through the pores and fibers of the wood – drawn from the ground by the transpiring leaves. When the tree is alive, the wood fibers are saturated with water; approximately 30% of the weight of such wood is composed of water. This wood is said to be at 30% moisture content.

After a tree is cut, water continues to move through wood until it reaches equilibrium with its environment. In a conditioned home, at around 75 °F and 55% relative humidity, wood reaches equilibrium at about 8% moisture content.

Wood changes dimension as its moisture content changes

For example, imagine that you have a white oak board on your porch, and due to the ambient relative humidity, it comes to equilibrium at 14% moisture content and it measures 12" wide. Then, you bring it inside for the winter. You turn on the heat, driving the relative humidity to 25%. The white oak board now comes to equilibrium at 5% moisture content, and the board measures 11½" in width! The wood fibers themselves do not change in length – all changes in dimension is across or perpendicular in the grain. Finishes slow this movement of water in and out of the wood, but do not stop it completely.

Thus, we must anticipate and design for some dimensional changes in use. The wood in many homes will be subjected to changes in moisture content from 6-10%, so we are careful to build our furniture at 8% moisture content. The vanities can withstand periods of high or low humidity where the wood might reach 4% or 12%, but further extremes and rapid changes could cause cracks, raised grain and expansion and contraction. Cabinets should not be stored or installed in an uncontrolled climate environment, as expansion and contraction of wood joint and delamination of veneer may occur.

Maintenance of your Wood Vanity

REGULAR DUSTING

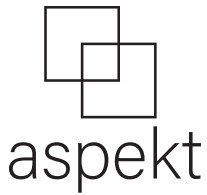
Use a lint free cloth for regular dusting. Do not use pre-moistened dusting sheets (they may damage the finish).

CLEANING

For everyday cleaning use a damp cloth and dry immediately. To remove general soil or grease, we recommend Murphy Oil Soap Original Formula. It is a great cleaner for all of your wood surfaces www.colgate.com/MurphyOilSoap.

WAXING & POLISHING

Waxing is not recommended. If polishing is desired, then a small amount of lemon oil applied to a clean, dry cloth may be applied to the finish.



CARE & MAINTENANCE

MELAMINE/VENEER CABINETRY

Melamine

It is an easily cleaned and hygienic surface which can be maintained by occasionally wiping over with a dry or damp clean cloth.

Dust can easily be removed using a dry/damp soft clean cloth. Soiled surfaces can usually be cleaned with a soft clean cloth or sponge dampened with warm soapy water or a mild household detergent and wiped with a damp clean cloth to remove any remaining soap or detergent. Then dry with an absorbent paper towel or microfibre cloth.

Spillages must be removed immediately, the area washed with warm soapy water to remove any remaining spilled liquid or powder, finished with a damp soft cloth and then dried.

The following cleaning agents SHOULD NOT be used:

- Scouring and abrasive agents (abrasive powders, scourers, steel wool).
- Polish, washing powder, furniture cleaner, bleach.
- Detergents with strong acids and acidic salts.
- Steam cleaning equipment.
- Never use substances that leave traces (waxes or oils for instance).
- Hot objects should not be deposited on the surface, as this may result in discoloration.

Veneer

Veneer is a natural wood product, so it requires more attention than other surfaces. When veneer is properly cared for, it will last long and keep looking beautiful. To maintain the quality of your products, please follow the cleaning procedures outlined here.

NORMAL CLEANING

Dust regularly with a slightly damp, soft, lint-free cloth. Wipe dry with a dry, soft cloth in the direction of the wood grain. Spills should be immediately wiped up with a damp cloth.

ONCE A MONTH

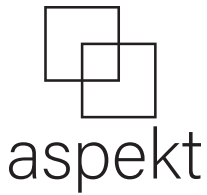
Clean the surface with a soft cloth dampened with a quality cleaner formulated for wood furniture. Wipe the surface in the direction of the wood grain to remove dirt and fingerprints. Wipe dry with a clean, dry cloth.

TWICE A YEAR

Apply a good quality furniture polish with a soft cloth. Do not use aerosol-powered cleaners or polishes. Also, do not use polishes containing waxes or abrasives, or polishes that are oil based.

STAINS

Veneers have resistance to wear, light, stains, water, and pressure.



CARE & MAINTENANCE

VANITY TOPS

Quartz Tops

SEALING

Quartz vanity tops are polished products and therefore require no sealing.

CLEANING QUARTZ

Quartz is not only durable, it is also very easy to keep clean. Its non-porous nature also makes it more difficult for bacteria, mold and mildew to grow, which makes it an ideal choice for bathrooms.

TIPS FOR CLEANING

Clean with a soft rag and PH-balanced detergent if necessary. The detergent must be non-bleach and non-abrasive.

1. Wipe away liquids, stains and spills as soon as possible.
2. For dried or heavy stains, use a glass cleaner and a non-abrasive sponge. Spray cleaner over the counter and leave for 8 to 10 minutes, then wipe away with the non-scratch sponge.
3. For gum, grease or paint, remove with a plastic knife and then clean the rest with a soft rag.

TO AVOID DAMAGE

Generally, in order to care for Quartz vanity tops, one must avoid quick changes in temperature, hard pressure and scratching or impact.

TIPS FOR AVOIDING DAMAGE

1. "Thermal shock" (a quick change in temperature) must be avoided. Do not set flat irons, hair dryers, etc., directly on the Quartz surface.
2. Sharp tools must not be used directly on the Quartz surface. Quartz vanity tops are scratch resistant, but not scratch-proof. A forceful hit can chip the vanity top.

Marble Tops

MARBLE STONE

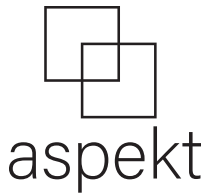
Marble is porous and can be damaged by spilling an acidic substance on it. One splash can etch the marble, leaving a permanent, dull scar. Prevention is key with marble countertops. Mop up spills as soon as they happen so they don't have time to etch the surface. You can keep your marble scar-free and lovely if you care for it properly.

CARE & MAINTENANCE

You don't need specialty cleaners for marble. Mild soap and hot water will do just fine. Wipe sudsy water on the counter with a soft cloth or sponge. This will remove dirt but won't heal any etching or stains. You can give your marble a little protection from stains and etching by using spray sealant at least once a month. You're still going to have to wipe up spills immediately to avoid damage, but the sealant will give you a little more time to mop before the staining starts.

TO AVOID DAMAGE

Do not use vinegar, Windex or bleach on marble. A single use of these acidic substances will eat into a marble countertop's surface and dull the stone. Don't use abrasive cleaner or pads, either, because marble can be scratched.



WARRANTY

1-YEAR LIMITED WARRANTY ON WOOD PRODUCTS

aspekt products are manufactured by Rock Solid Supply (Manufacturer). aspekt warrants to the original consumer purchasers for a period of 1 year from the original date of purchase on all our Wood Products that they will be free from defects in material and workmanship under normal use.

LIMITED LIFETIME WARRANTY ON DRAWER SLIDES AND DOOR HINGES

aspekt warrants to original consumer purchasers for as long as they own their homes that all Drawer Slides and Door Hinges will be free from defects in material and workmanship under normal use for the lifetime of the product.

LIMITED LIFETIME WARRANTY ON PORCELAIN SINKS

aspekt warrants to the original consumer purchasers for as long as they own their homes that our Porcelain Sinks will be free from defects in material and workmanship under normal use for the lifetime of the product.

LIMITED LIFETIME WARRANTY ON STONE TOPS

aspekt warrants to the original consumer purchasers for as long as they own their homes that our Stone Tops will be free of defects in material and workmanship under normal use for the lifetime of the product.

These warranties are applicable only to products used in residential applications within Canada and are not transferable to subsequent owners.

It is aspekt's sole discretion to repair or replace any defective product(s). Should defects in material or workmanship exist during the applicable warranty period in any of aspekt products, the Manufacturer will elect at its discretion to either repair or replace the defective material or component free of charge. If a full replacement is warranted, the Manufacturer will replace the product with the same or similar product of equal value. This warranty is expressly limited to the repair or replacement of the defective product(s) and does not cover installation or removal and any other incidental costs that may be incurred.

The warranty shall become void if any of aspekt's product are in any way modified, improperly installed or damaged prior to or during the installation. Furthermore, the warranty will not apply to cabinets damaged by abuse, misuse, neglect, acts of God, exposure to moisture, exposure to extreme temperatures, effects from normal wear and tear or accident or other damages which may have occurred after original delivery of the product(s).

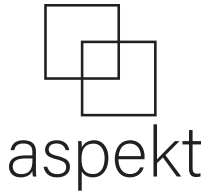
The repair(s) or replacement(s) are contingent upon the current product offerings of styles and construction options within the aspekt product at the time of the warranty claim. If a warranty claim is filed after a aspekt product becomes obsolete, the Manufacturer reserves the right to honor the warranty in one of the following fashions:

1. To replace the affected component with a new component of the same style.
2. To replace the affected component and any other component(s) in the residential application to achieve a uniform appearance with a similar and comparable product style of the originally purchased style.
3. To replace the originally purchased products, with a similar and/or comparable product(s) up to an equal value to the cost as the originally purchased product(s) unit.

If components are replaced, the Manufacturer cannot guarantee that the finish of these replacements will exactly match the finish and appearance of the components in the residential application. This is due to the changes that occur during the wood's natural aging process, affecting its color and grain.

Natural products such as wood and stone are selected for their distinct look and textures. Wood has unique grain patterns, knots and colour variances. These unique characteristics are what set solid wood apart from laminates and other imitation wood products. Natural Stone has pits, fissures, veining and inclusions that occur naturally and enhances its beauty and value. These inclusions are what set natural stone apart from manmade materials. The natural occurring characteristics of both wood and stone are not defects and are not warranted for replacement unless they weaken or compromise the integrity of the vanity cabinet or stone top.

Natural woods may vary in color and characteristics and exhibit subtle changes as they age. Sunlight, smoke, household cleaners



WARRANTY

and other environmental conditions may also affect the color match over time. These variations are considered to be the nature of the materials in relation to their environmental exposure and are not covered under this warranty.

aspekt reserves the right to alter design, specifications and material without obligation to make similar changes to products previously manufactured.

The hardwood we use to manufacture your vanity cabinet has been kiln dried. This low moisture content combined with the design of the doors and drawers will be able to withstand normal seasonal moisture (humidity) variations found within your home. Your home should be maintained at approximately 40-50% relative humidity. If the moisture level is too low then doors and joints in the wood can shrink and open. If the humidity level is too high the doors and joints could possibly swell and split. To balance the humidity levels in your home a humidifier or a dehumidifier may be required.

To obtain replacement(s) under aspekt's 1-Year and Limited Lifetime warranties, first contact your authorized dealer or distributor, who will arrange for inspection of the cabinet. A dated sales receipt as proof of purchase is required to obtain benefits from this warranty.

If you have difficulty obtaining assistance, please contact our Corporate Head Office:

E: customerservice@rocksolidsupply.com